

DUETS

DU25VOUTN2



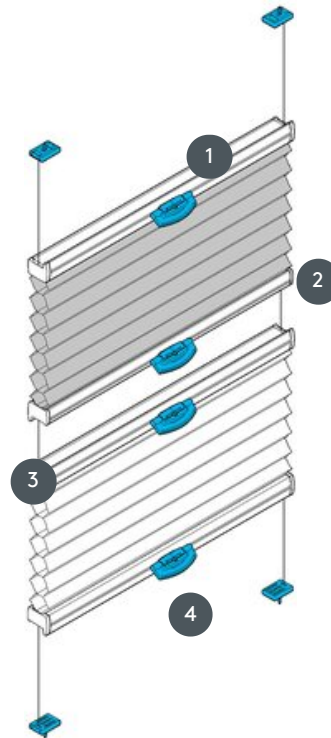
Duets braced, with 4 movable operating rails and 2 hangings e.g. transparent (day) and darkening (night) in one system - the heavier hanging must be attached at the bottom. Suitable for tilt-turn windows and balcony doors.

1 upper rail

2 Middle rail

3 Middle rail

4 EOS metal handle (standard) or FUSION metal handle, FLEX plastic handle on request



mounting type

either screwed or glued

min./max. mass

min. width 25 cm/max. width 120 cm

min. height 10 cm/max. height 220 cm

max. area 2 m² (per curtain)

min/max. dimensions for mounting type M8R

min. width 30 cm/max. width 120 cm

min. height 10 cm/max. height 220 cm

max. area 2.5 m² (mass per curtain)

waiter

by means of grips on the top, middle and bottom rails

fabric color

according to the latest collection