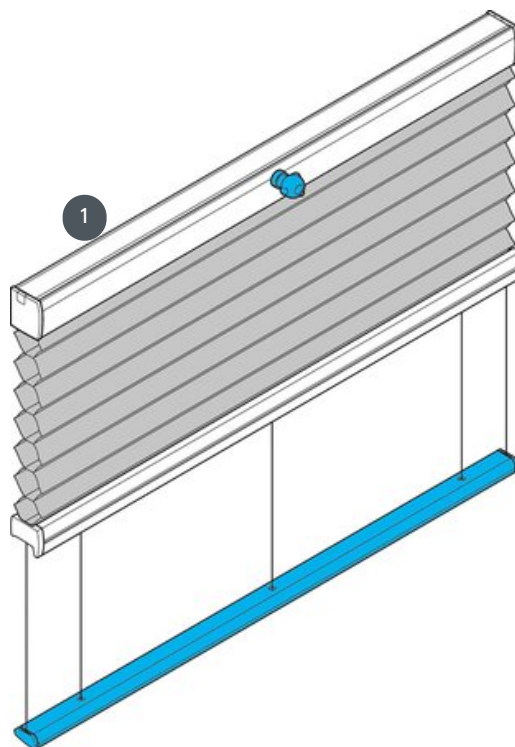


DUETS DU25PLK2



Tense ceiling system horizontally or at an angle.

1 Top drive (top package)



mounting type

either bolted or with
mounting profile

min./max. mass

min. width 20 cm/max.
width 230 cm

min. height 10 cm/max.
height 400 cm

waiter

Can be done with a hand
crank or with an electric
rod (to be ordered
separately)
Crank outlet either left,
center or right

fabric color

according to the latest
collection