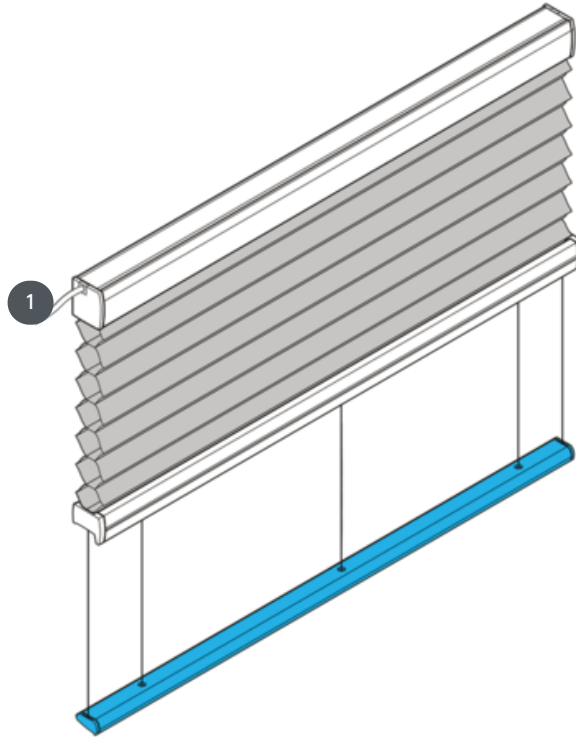


# DUETS DU25PLE2



Tense ceiling system horizontally or at an angle.

1 Motor above (package above)



## mounting type

either bolted or with mounting profile

## min./max. mass

min. width **depending on motor**/max. width 230 cm

min. height 10 cm/max. height 400 cm

## waiter

via 24V electric drive (motor side either left or right)

**EC - Declaration of Conformity in accordance with  
ÖNORM EN 13120:2014**

## fabric color

according to the latest collection