

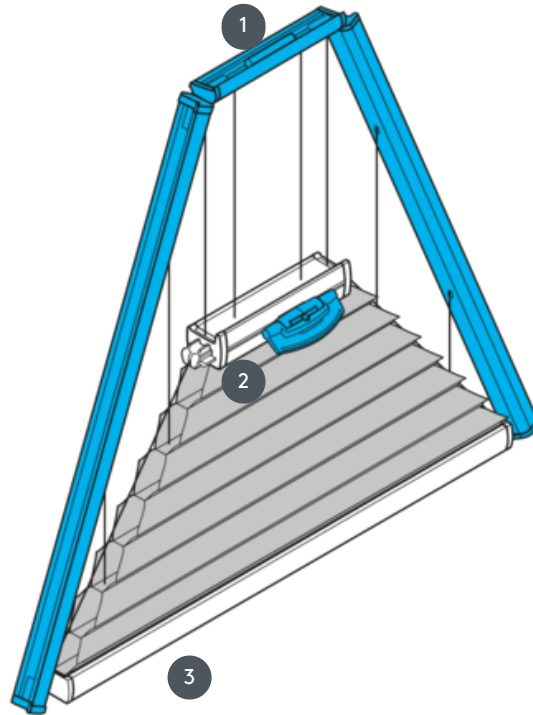
DUETS

DU25PLVDR2



Tense triangle ceiling system horizontally or at an angle with handle control. The system can also be mounted upside down, i.e. the curtain closes from top to bottom.

- 1 Fixed top rail (approx. 11.6 cm)
- 2 operable center rail with plastic handle FLEX
- 3 Lower rail (fixed)



mounting type

either bolted or with mounting profile

min./max. mass

min. width 15 cm/max. width 150 cm

min. height 10 cm/max. height 260 cm

waiver

Control rail with plastic handle (Flex)

fabric color

according to the latest collection