

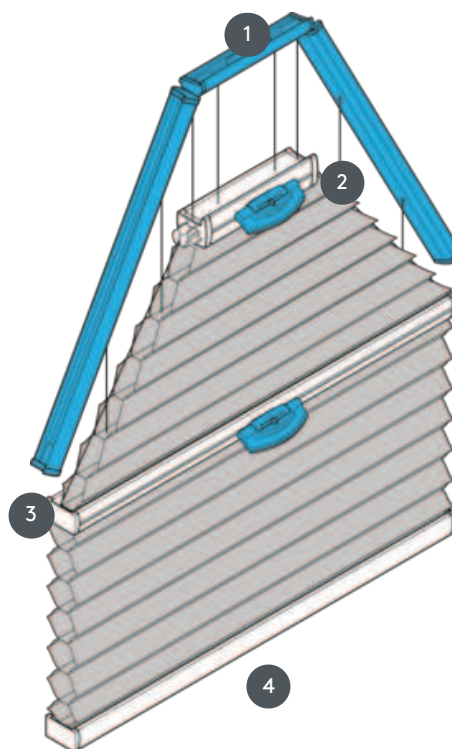
# DUETS

## DU25PLV6



Duets, braced with two moving operating rails.

- 1 Fixed top rail (min. 11.6 cm)
- 2 operable center rail with plastic handle FLEX
- 3 operable center rail with plastic handle FLEX
- 4 Lower rail (fixed)



### mounting type

either bolted or with mounting profile

### min./max. mass

min. width 40 cm/max. width 100 cm  
min. height 30 cm/max. height 260 cm

### waiter

Is done with the operating handle - if not reachable by hand, by means of a sliding bar (to be ordered separately)

### fabric color

according to the latest collection