

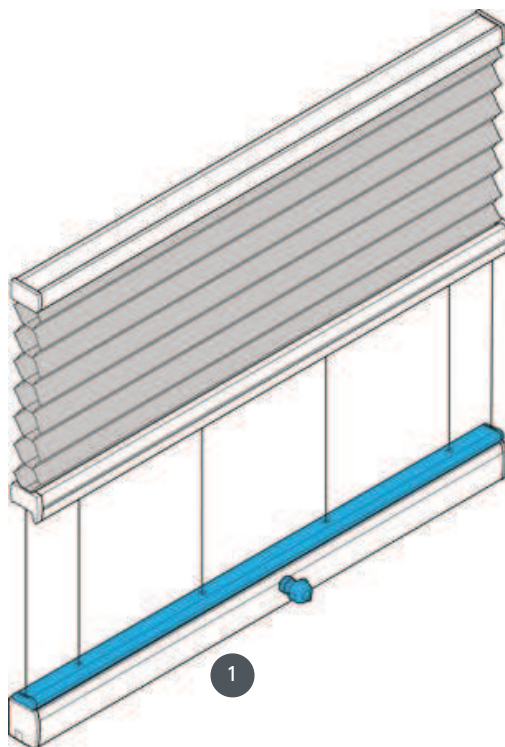
# DUETS

## DU25PLK1



Tense ceiling system horizontally or at an angle.

① Lower drive (package above)



### Mounting type

either bolted or with mounting profile

### min./max. dimensions

min. width 20 cm/max. width 230 cm

min. height 10 cm/max. height 400 cm

### Operation

Can be done with a hand crank or with an electric rod (to be ordered separately)  
Crank outlet either left, center or right

### Fabric colour

according to the latest collection