

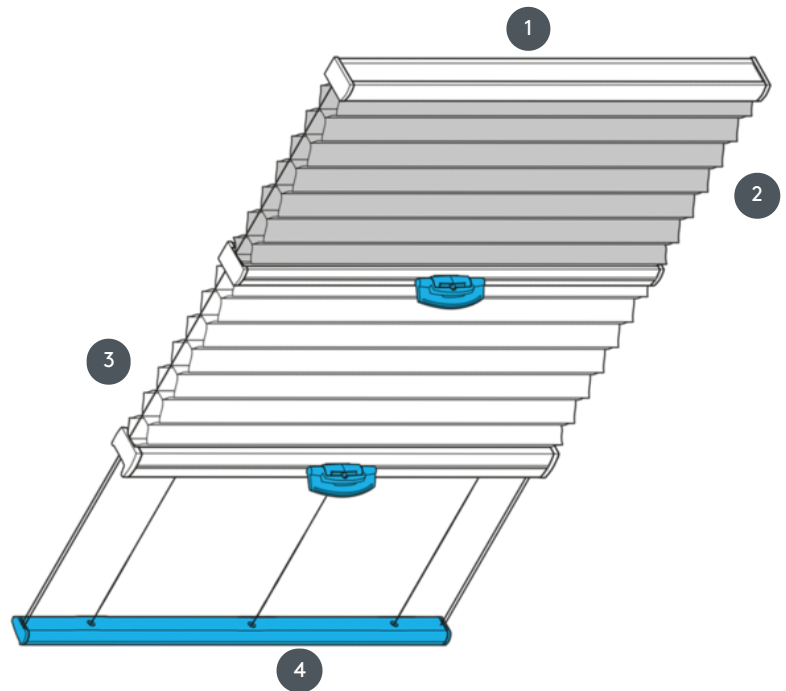
# DUETS

## DU25PLVTN



Duets, braced with two movable operating rails and day/night hanging for horizontal ceiling or for a slope

- 1 Top rail (fixed)
- 2 Darkening (night) hanging - no glimpses
- 3 Transparent (day) hanging - view outside possible
- 4 Lower rail (fixed)



### mounting type

either bolted or with mounting profile

### min./max. mass

min. width 25 cm/max. width 150 cm

min. height 10 cm/max. height 350 cm

### waiver

by means of a plastic handle on the operating rail

A moving bar is suitable for higher systems

### fabric color

according to the latest collection