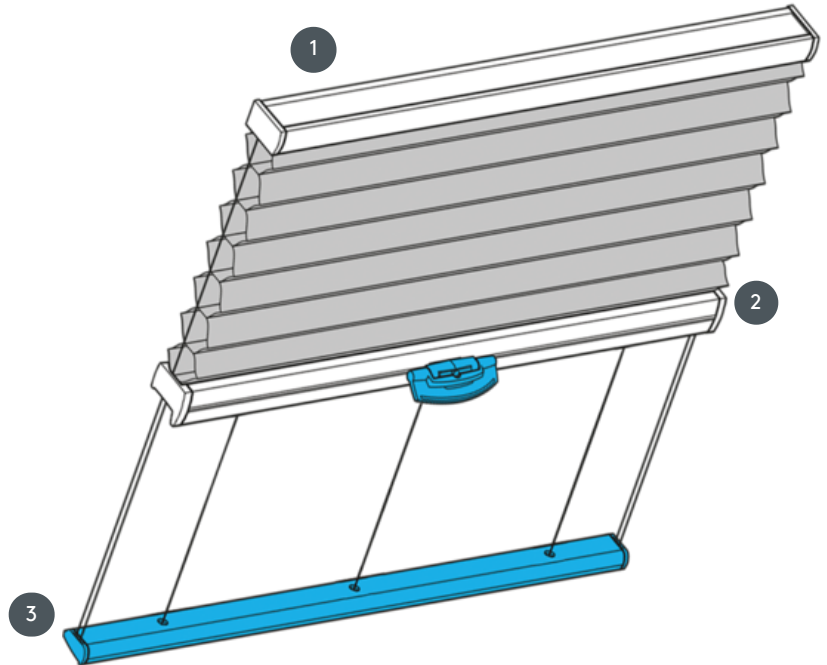


DUETS DU25PLV



Duets, braced for a horizontal ceiling system or for a slope.

- 1 Top rail (fixed)
- 2 operable center rail with plastic handle FLEX
- 3 Lower rail (fixed)



mounting type

either bolted or with mounting profile

min./max. mass

min. width 15 cm/max. width 150 cm

min. height 10 cm/max. height 350 cm

waiter

by means of a plastic handle on the operating rail

A moving bar is suitable for higher systems

fabric color

according to the latest collection