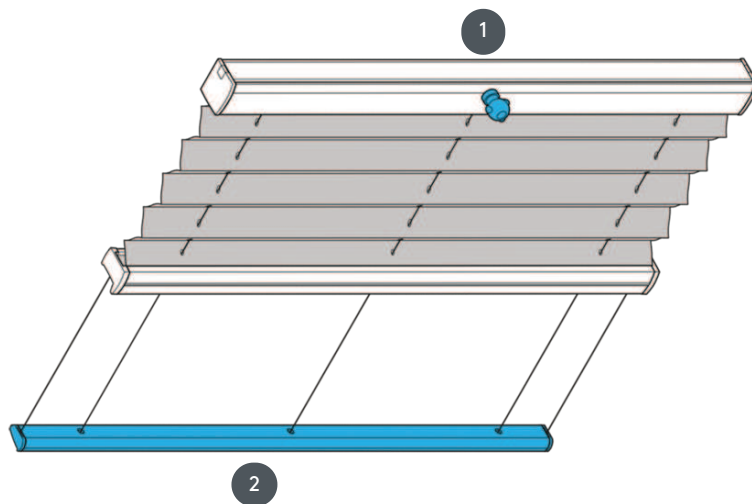


# PLEATING PL20PLK2



Pleated blind type PLK2 for ceiling system with crank drive (package above, drive above) fixed tensioning cables, distance approx. 20 cm.  
Further variant: PL20PLK1 (package above, drive below)

- 1 crank drive
- 2 Fixed bottom rail



## mounting type

either bolted or with mounting profile

## min./max. mass

min. width 20 cm/max.  
width 230 cm

min. height 10 cm/max.  
height 400 cm

## fabric color

according to the latest collection

## extras

Winch (29.1510)

Wall bracket (16.2047)

Mounting profile in cm