

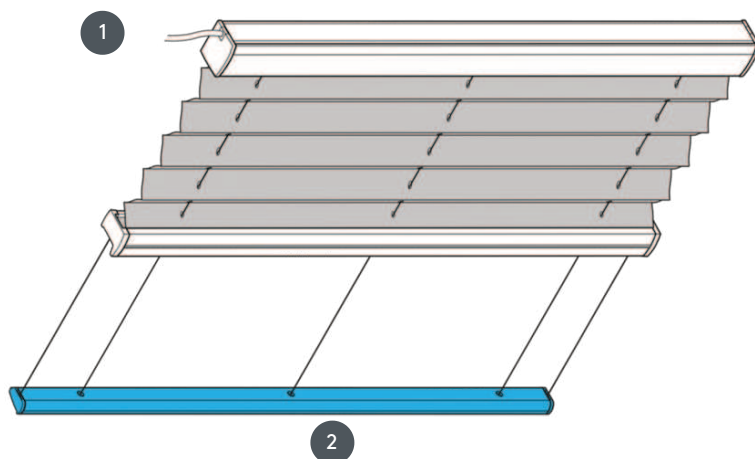
PLEATING PL20PLE2



Pleated blind type PLE2 for ceiling system with motor (package above, motor above) fixed tension wires, distance approx. 20 cm.
Further variant: PL20PLE1 (package above, motor below)

1 24 V electric motor

2 Fixed bottom rail



mounting type

either bolted or with mounting profile

min./max. mass

min. width 40 cm/max. width 230 cm

min. height 10 cm/max. height 400 cm

waiver

by means of 24 V electric drive

**EC - Declaration of Conformity in accordance with
ÖNORM EN 13120:2014**

fabric color

according to the latest collection