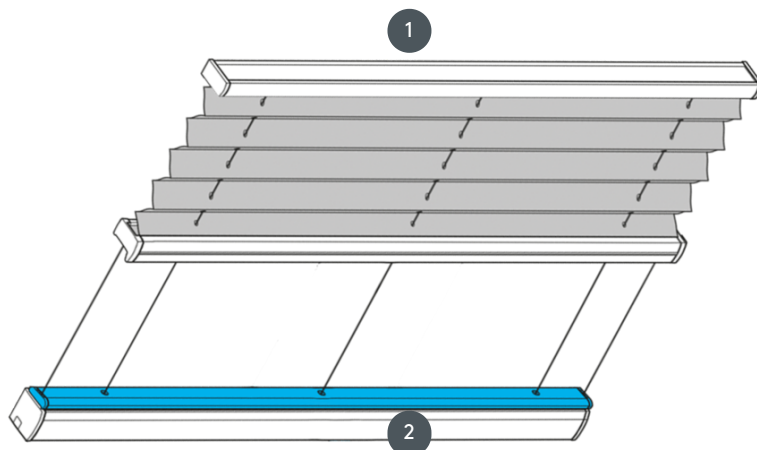


# PLEATING PL20PLPW1



Pleated blind type PLPW1 for ceiling system (package above - motor below) Fixed tension wires, distance approx. 20 cm. Further variant: PL20PLPW2 (package above - motor above)

- 1 Top rail fix
- 2 Fixed bottom rail



## mounting type

either bolted or with mounting profile

## min./max. mass

min. width 40 cm/max. width 120 cm

min. height 10 cm/max. height 400 cm

max. area 3 m<sup>2</sup>

## waiter

via app or via handheld or wall transmitter for an additional fee

**EC - Declaration of Conformity in accordance with ÖNORM EN 13120:2014**

## fabric color

according to the latest collection