

# PLEATING PL20SVT1

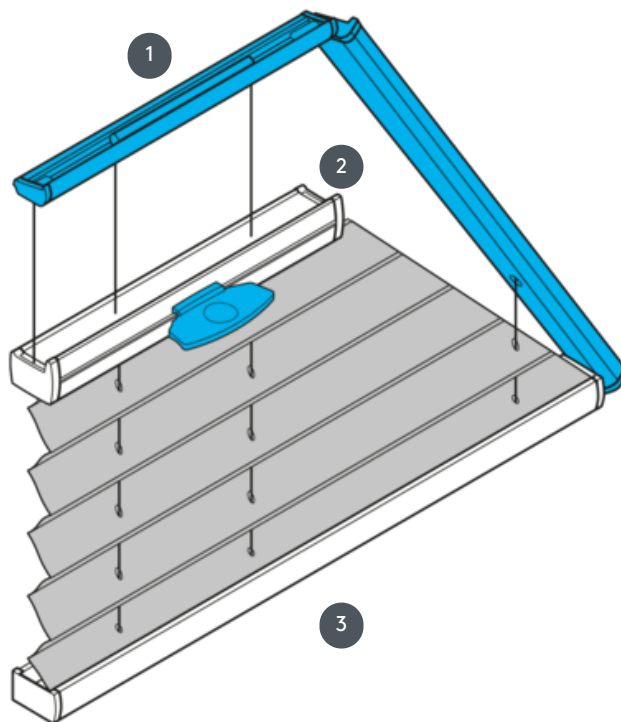


SVT1 pleated blind, tensioned, with handle. Fixed tension cords - the system can also be mounted upside down (the curtain closes from top to bottom)

1 Fixed top rail (min. 11.6 cm)

2 Operating rail with handle (EOS standard metal handle or FUSION metal handle, FLEX plastic handle on request)

3 Fixed bottom rail



## mounting type

screwed

## min./max. mass

min. baseline 40 cm/max.  
baseline 150 cm

min. height 10 cm/max.  
height 250 cm

max. area 5.0 m<sup>2</sup>

## waiver

using handles on the  
operating rails

## fabric color

according to the latest  
collection