

ALUMINUM RAILS 701 DRIVE



Electric pull rail suitable for living areas, operation with touch motion function (hand), switch or handheld radio transmitter, max. system length 12 m.



rassemblement

quilt
wall

max. curtain weight

60 kg

Rail colors

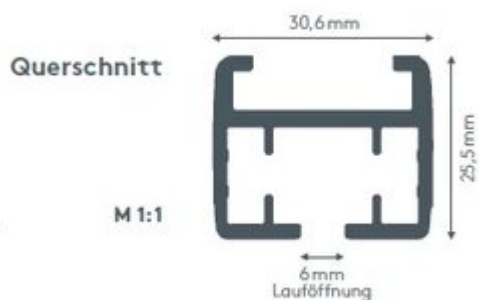
white (RAL 9016)
grey (RAL 9006)
RAL special painting on
request (at an additional
charge)

waiter

by means of an electric motor

EC - Declaration of Conformity
in accordance with
ÖNORM EN 13120:2014

cross-section



You can find further information at leha.at
Project-related special designs available on request.
All values are manufacturer's specifications, production-related fluctuations are possible.
Stand 27.11.2024

