

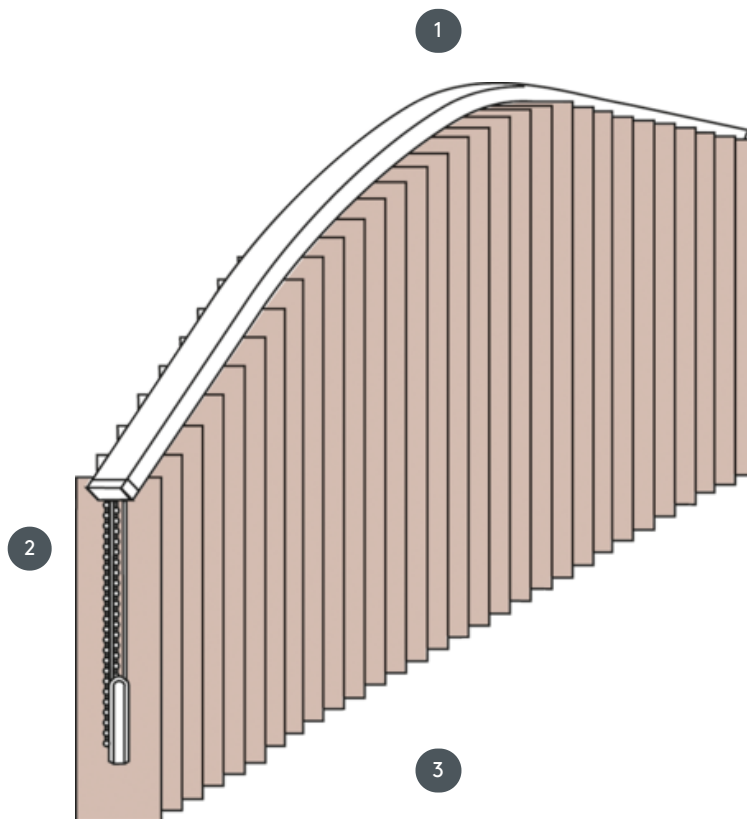
# VERTICAL BLINDS

## VJ091-S



Vertical blind complete system for mounting on the ceiling with mounting clips. Mounting brackets for wall mounting at an additional cost.

- 1 Top rail in matt white, natural anodized, window grey or matt black
- 2 Drawstring and reversible chain in white, grey or black
- 3 lower end with weighting plates



### rassemblement

ceiling, wall or built-in profile

### min./max. dimensions

max. width: 560 cm, max. height: 400cm  
 smallest radius for 89 mm blade: 50 cm  
 smallest radius for 127 mm blade: 50 cm

### Mechanical color

matt white (RAL 9016)  
 natural anodized aluminum (E6-EV1)  
 Window grey structure (RAL 7040)  
 matt black structure (RAL 9005)  
 RAL special painting on request (at an additional charge)

### waiter

With a drawstring and reversible chain in white, grey or black  
 Operation either left or right