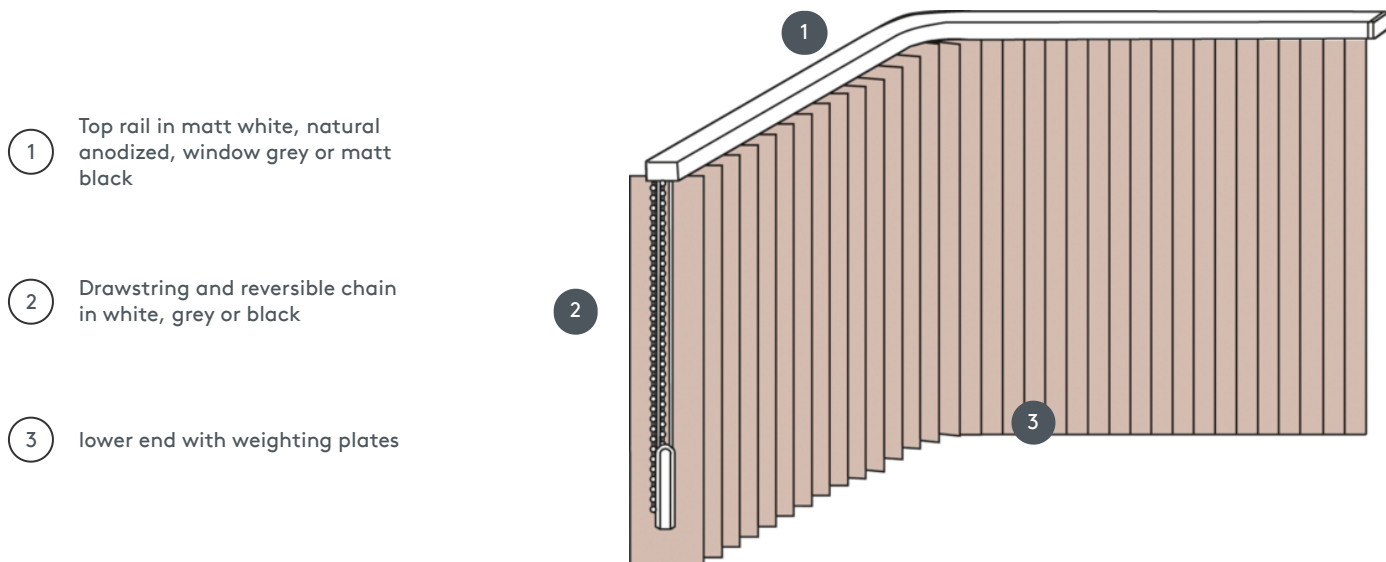


VERTICAL BLINDS

VJ081-S



Vertical blind complete system for mounting on the ceiling with mounting clips. Mounting brackets for wall mounting at an additional cost.



1 Top rail in matt white, natural anodized, window grey or matt black

2 Drawstring and reversible chain in white, grey or black

3 lower end with weighting plates

rassemblement

ceiling or wall

min./max. dimensions

max. width: 560 cm (= max. extended rail length),
max. height: 400cm
smallest radius for 63 mm
and 89 mm slats: 65 cm
smallest radius for 127 mm
blade: 90 cm

Mechanical color

matt white (RAL 9016)
natural anodized aluminum (E6-EV1)
Window grey structure (RAL 7040)
matt black structure (RAL 9005)
RAL special painting on request (at an additional charge)

waiter

Operation using a drawstring and reversible chain (either left or right)