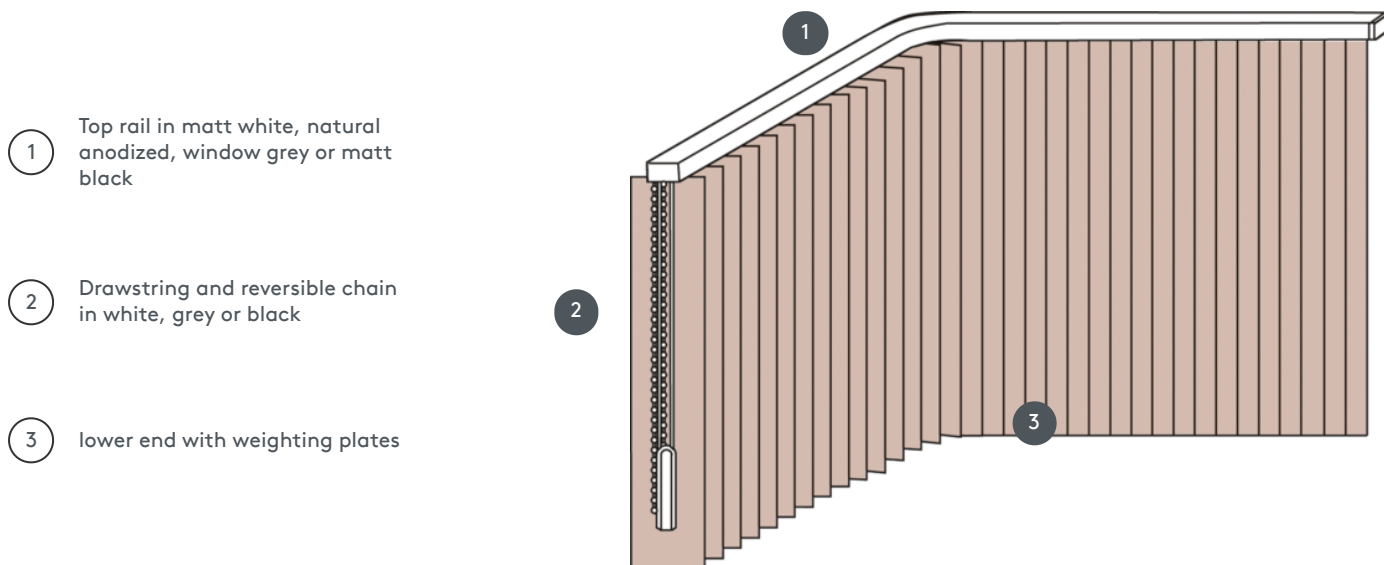


# VERTICAL BLINDS

## VJ081-S



Vertical blind complete system for mounting on the ceiling with mounting clips. Mounting brackets for wall mounting at an additional cost.



- 1 Top rail in matt white, natural anodized, window grey or matt black
- 2 Drawstring and reversible chain in white, grey or black
- 3 lower end with weighting plates

### Mounting

ceiling or wall

### min./max. dimensions

max. width: 560 cm (= max. extended rail length),  
max. height: 400cm  
smallest radius for 63 mm and 89 mm slats: 65 cm  
smallest radius for 127 mm blade: 90 cm

### Mechanic colours

matt white (RAL 9016)  
natural anodized aluminum (E6-EV1)  
Window grey structure (RAL 7040)  
matt black structure (RAL 9005)  
RAL special painting on request (at an additional charge)

### Operation

using a drawstring and reversible chain (either left or right)